

JAK's Machine, Inc.

Victoria, Texas

(361) 575-2312

Fax (361) 573-1735

e-mail sales@jaksmachine.com

Sold Through Supply Stores





JAK's Machine, Inc.

Main Office, Sales & Manufacturing

3302 Houston Hwy.
Victoria, TX 77901

Billing P.O. Box 3872
Victoria, TX 77903
361-575-2312

Fax 361-573-1735

e-mail sales@jaksmachine.com

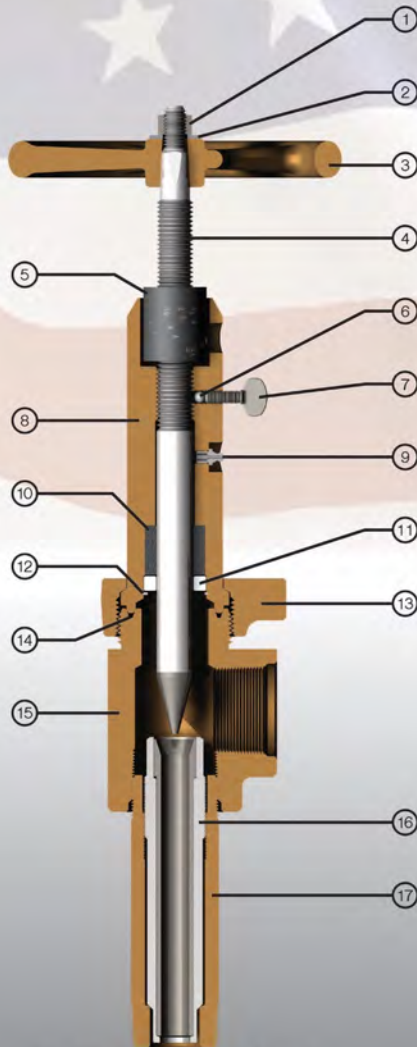
Web jaksmachine.com

Rep. Sales Locations:		
OWI Sales	Victoria, TX	361-573-1731
OWI Sales	Corpus Christi, Tx	361-888-4607
Coombes Equip.	Odessa, TX	432-337-6295
Dickey O/F Sales	Wichita Falls, TX	940-723-5046
Dickey O/F Sales	Abilene, TX	325-672-0480
Western Energy	Farmington, NM	505-326-1451
Western Energy	Grand Junction, CO	970-241-7813
Western Energy	Vernal, UT	435-781-8686
Vause Oil Spec.	Denver, CO	303-286-7784



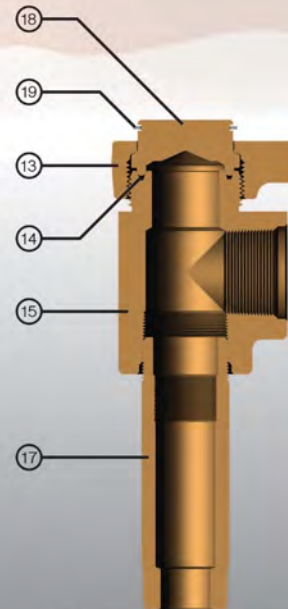


JAK'S MACHINE INC.



JN-60 Adjustable Choke

PARTS LIST	
1	Hex Nut
2	Flat Washer
3	Handwheel
4	Stem: 3/4" or 1", Alloy Steel or SS/Carbide
5	Indicator: 3/4" or 1", PVC or Aluminum
6	Nylon Thread Protector
7	Thumbcrew
8	Bonnet
9	Grease Fitting
10	Packing
11	Junk Ring
12	Spiralox Ring
13	Hammer Nut
14	Bonnet O-Ring
15	Flow-Tee 5000 psi
16	Seat: 3/4" or 1", Alloy Steel or SS/Carbide or SS/FL Carbide
17	Cage Nipple
18	Blanking Plug, Blank or 1/2" NPT Tap
19	Plug Retaining Ring



JN-60 Positive Choke



FC-140



Cameron Big John



THC 1003P



Gray 60



Gray 80



JAK's Machine, Inc.

Well Testing Flow Control

2" 1502 Adjustable Choke



2" 1502 Positive Choke Assy.



SOLD WITH 3/4" OR 1" S/S-CARBIDE TRIM ONLY
NUT ASSY. SOLD - BLANK, 1/2" TAP, AUTO CLAVE





JAK's Machine, Inc.

Stems For Adjustable Chokes

N-60 3/4"



N-60 1"



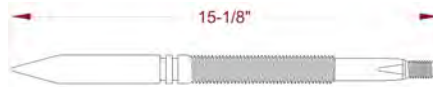
N-62 3/4"



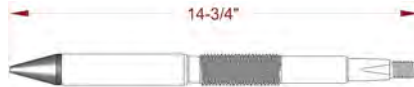
N-62 1"



J-29



JWA



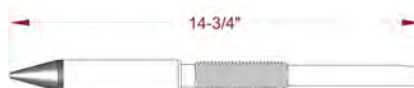
THC 899



MSI



Cameron



Stem Combinations
Alloy Steel
Stainless Steel
S/S-Carbide



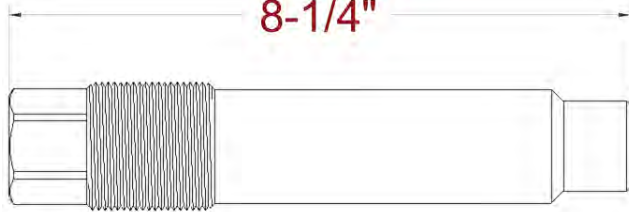


JAK's Machine, Inc.

Adjustable Choke Seats

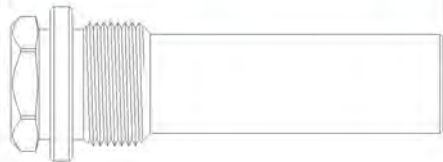
OCT STYLE
3/4"-1" A/S or S/S Carbide

8-1/4"



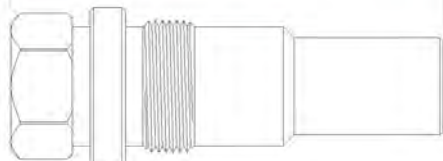
CAMERON STYLE
1" S/S Carbide

6-1/8"



THC 1003A
3/4"-1" A/S or S/S Carbide

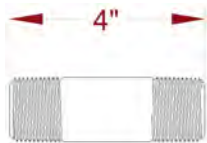
6-1/8"



Choke Nipples

1" x 4"

1" x 6"



6"



Choke Nipples

2" x 4"

2" x 6"

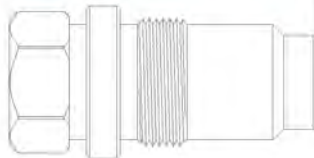


6"



THC 642
3/4"-1" A/S or S/S Carbide

4-1/2"

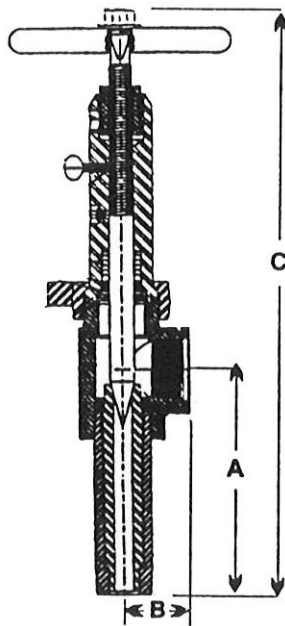


ALL CHOKE NIPPLES CAN BE MADE A/S or S/S-CERAMIC or CARBIDE





JAK's Machine, Inc.
Victoria, Texas



MODLE	INLET	OUTLET	WORKING PRESSURE	DIMENSIONS
-------	-------	--------	------------------	------------

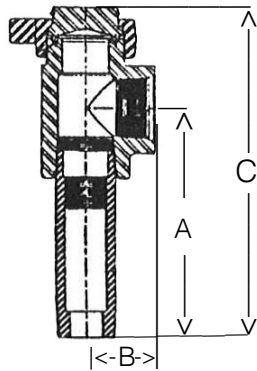
N-60
Ajust.

2" FM/
NPT

2" Male
NPT

5000#

A: 9.00" B:2.75" C: 23.50"



MODLE	INLET	OUTLET	WORKING PRESSURE	DIMENSIONS
-------	-------	--------	------------------	------------

N-60
Positive

2" FM/
NPT

2" Male
NPT

5000#

A: 9.00" B:2.75" C: 13.00"

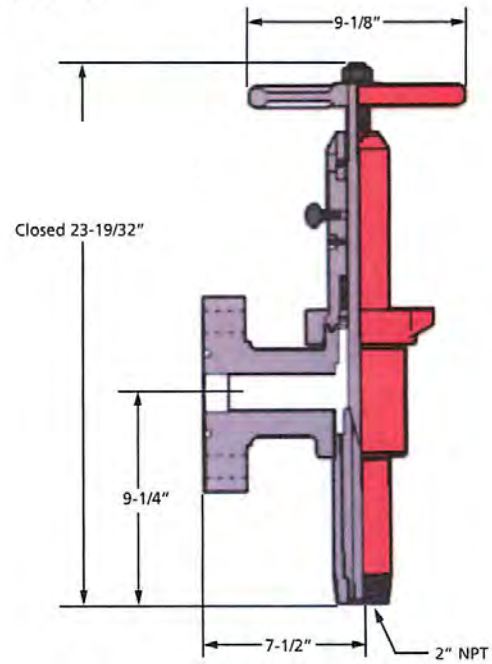
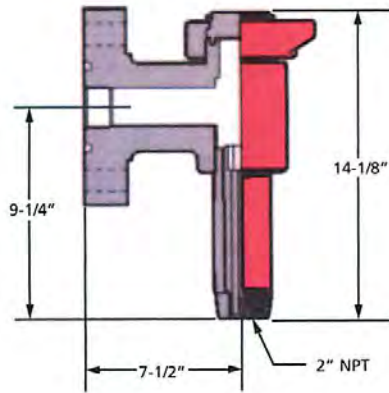




2" THREADED X FLANGED

5000 psi CWP Adjustable and Positive Chokes

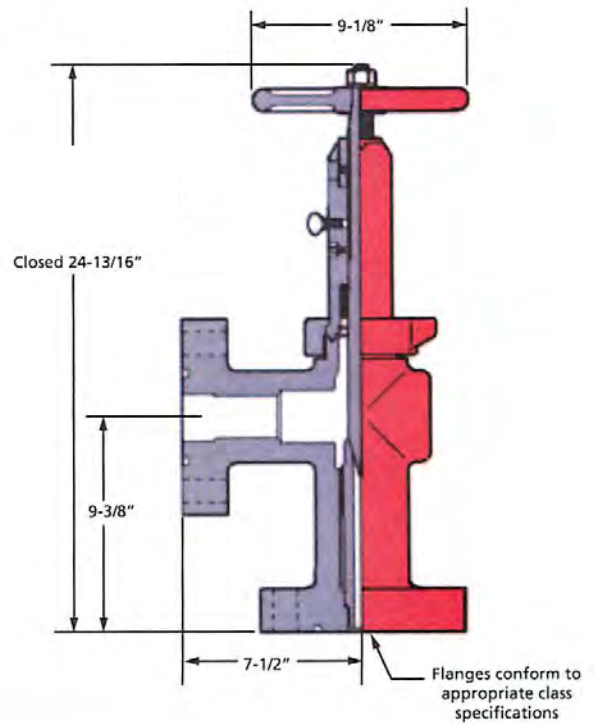
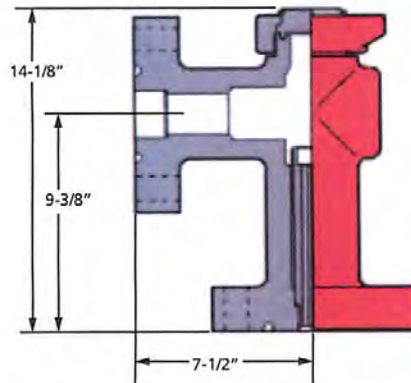
3/4" and 1" MAXIMUM ORIFICE AVAILABLE IN LOW-ALLOY STEEL, STAINLESS STEEL OR STAINLESS STEEL/TUNGSTEN CARBIDE

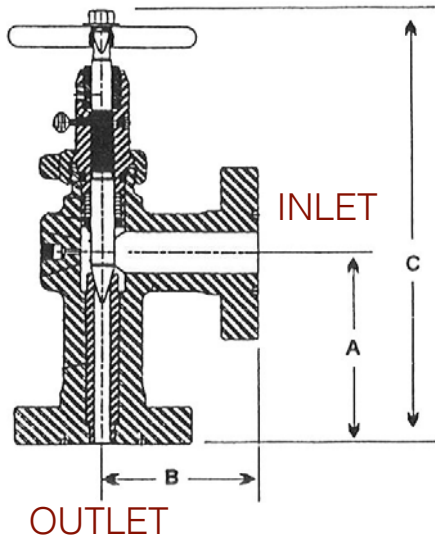


2-1/16" FLANGED X FLANGED

5000 Adjustable and Positive Chokes

3/4" and 1" MAXIMUM ORIFICE AVAILABLE IN LOW-ALLOY STEEL, STAINLESS STEEL OR STAINLESS STEEL/TUNGSTEN CARBIDE

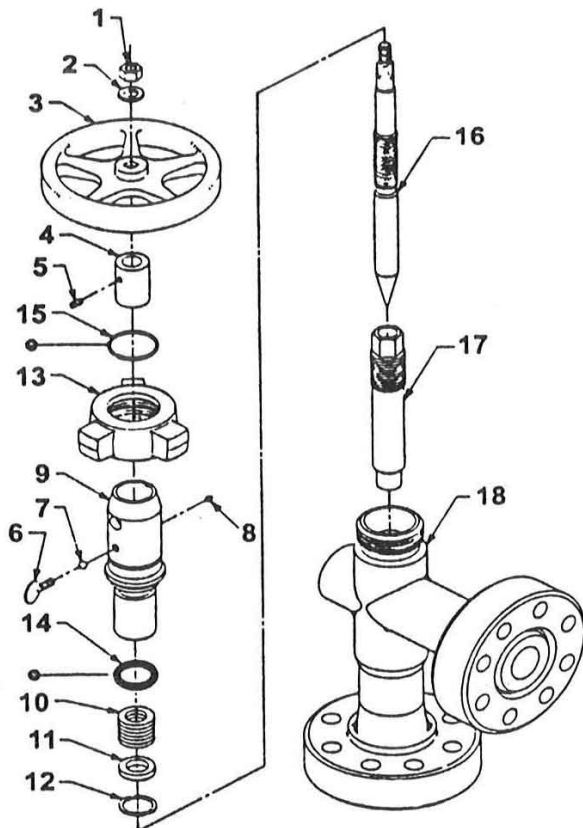




JAK's Machine, Inc.

5-10,000 OCT/JWA Style Choke

Model	Inlet	Outlet	Working Pressure	Dimensions
JWA	2-1/16"	2-1/16"	5,000	A: 9.38 B: 7.50 C: 21.15
JWA	1-13/16"	1-13/16"	10,000	A: 9.19 B: 7.50 C: 21.15
JWA	2-1/16"	2-1/16"	10,000	A: 9.38 B: 7.50 C: 21.44
JWA	1-13/16"	1-13/16"	10,000	A: 10.13 B: 7.38 C: 26.05



ITEM	DESCRIPTION
1	STEM NUT
2	WASHER
3	HANDWHEEL
4	INDICATORS 3/4" or 1"
5	SET SCREW
6	THUMB SCREW
7	NYLON BALL
8	GREASE FITTING
9	BONNET ONLY
10	STEM PACKING
11	JUNK RING S/S
12	RETAINER RING
13	WING NUT
14	O-RING
15	RETAINER RING
16	STEM 3/4" or 1" HARDENED STEEL STAINLESS STEEL
17	SEAT 3/4" or 1" HARDENED STEEL STAINLESS STEEL
18	BODY FLG x FLG

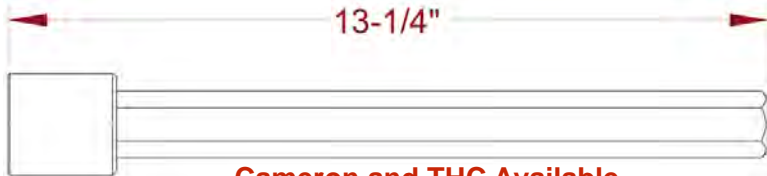




JAK's Machine, Inc.

OCT Choke Wrench

13-1/4"



Cameron and THC Available

CHOKE GAUGES

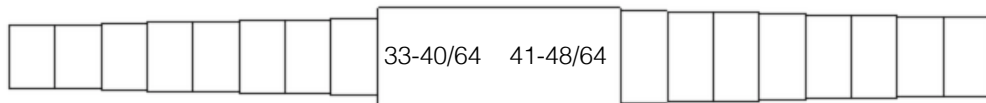
SMALL



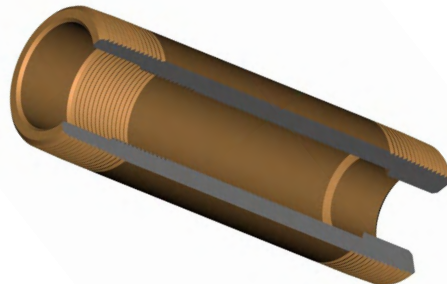
MEDIUM



LARGE



OCT Style Cage Nipple



OCT / GRAY60 / GRAY80

Made from A/S or Stainless





JAK's Machine, Inc.

